

CityVu Casement (C600/C605)

Technical Data Sheet

Frame/Sash

- Architectural Grade 6063-T63 Aluminum
- Euro-Groove Mainframe/Sash
- Azo-Core Thermal Break (Mainframe/Sash)
- 45 Degree Mitered Mainframe/Sash Corners
- Silicone Injected Corner Keys
- 4-1/8" Overall Frame Depth
- 2-7/8" Exterior Sightlines
- 1-1/4" Pre-Punched Nail Fin
- Overlapping Sash to Mainframe

Weather stripping

- Dual Bulb Seal Gaskets

Glazing

- Beveled/Square Exterior Glazing Stops
- Quanex Super Spacer
- 100% Silicone Wet Glaze
- Double/Triple Insulated Glass Options
- Annealed, Tempered, Laminated and Obscure Glass Options Available

Hardware

- CHIC Concealed Hinge
- Low Profile Lock Lever Operating Multiple Lock Points
- Stainless Steel Hardware Available
- WOCD Available

Mulling Options

- Continuous Frame Configurations
- Field Applied Structural Mulls

Grid Options

- Grids Between the Glass
- Simulated Divided Lites

Screen

- Flex Screen Standard

Paint

- 2604/2605 FGIA High Performance Powder Coatings
- 30 Standard Colors
- Custom Colors available

CityVu Casement (C600/C605)		
NAFS Rating	AW-PG70-C	
Design Pressure (P.S.F.)	70	
Air Infiltration at 25 MPH (cfm/ft ²)	0.08	
Water Resistance	15	
U-Value (Based on Cardinal 366 Low-E/Argon Fill)	0.3	
SHGC (Based on Cardinal 366 Low-E/Argon Fill)	0.19	
Frame Sizing	Width	Height
Minimum	24"	48"
Maximum	48"	96"

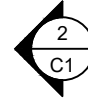
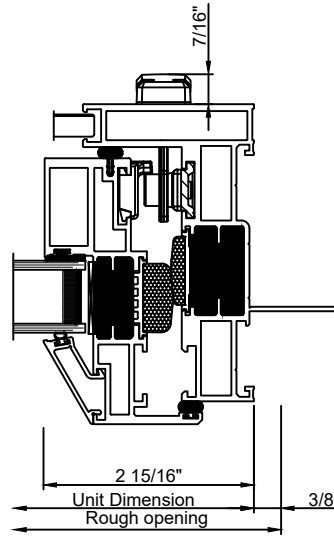
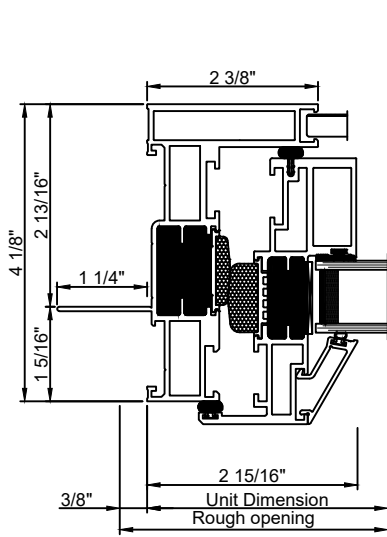


Quaker Window Products
 504 U.S. Hwy 63 South
 Freeburg, MO 65035
 (800) 347-0438
www.quakerresidentialwindows.com

Discover More Here:

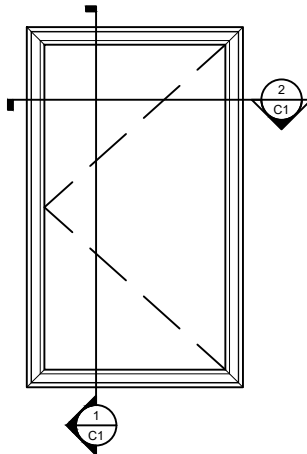


QTZ-CV-CSMT-0324

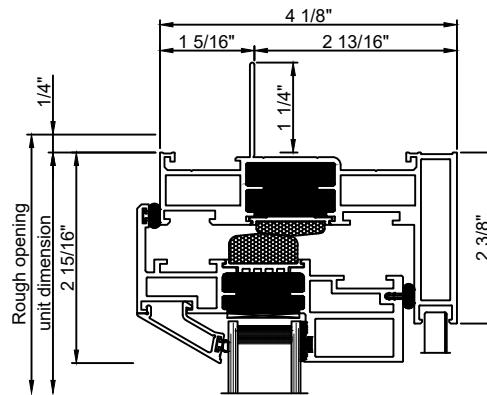


Window cut sections 3/8" = 0' 1"

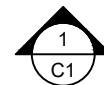
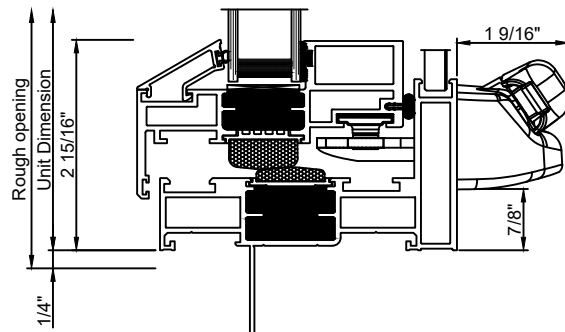
Exterior



Window Elevation 3/8" = 1' 0"

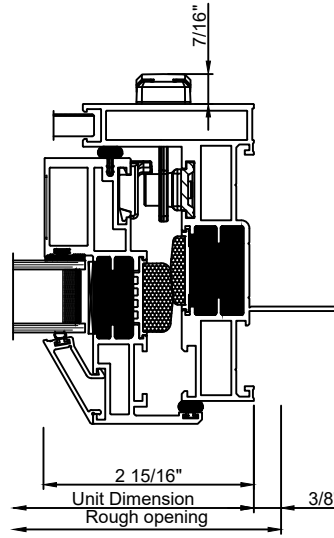
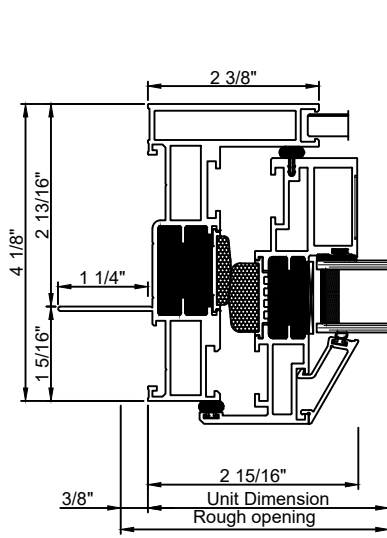


Exterior



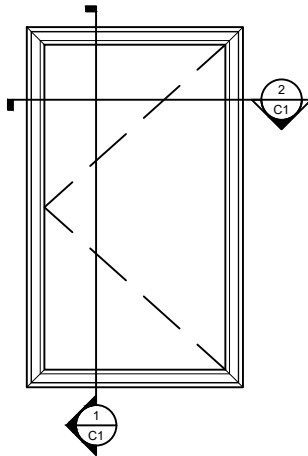
Window cut sections 3/8" = 0' 1"

Note: All dimensions are approximate. Quaker reserves the right to change specifications without notice.

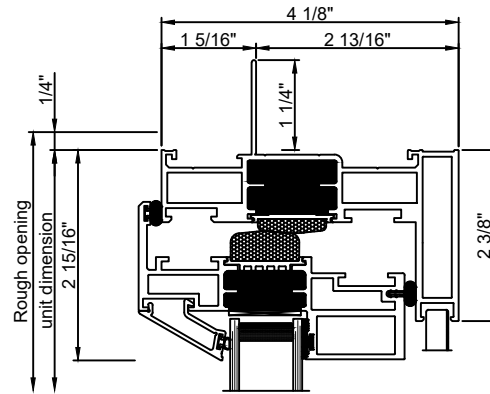


Window cut sections 3/8" = 0' 1"

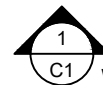
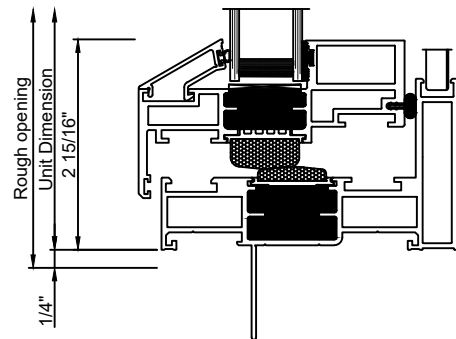
Exterior



Window Elevation 3/8" = 1' 0"

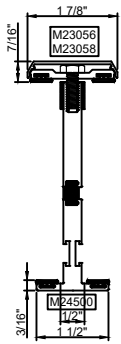


Exterior



Window cut sections 3/8" = 0' 1"

Note: All dimensions are approximate. Quaker reserves the right to change specifications without notice.

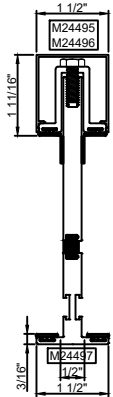
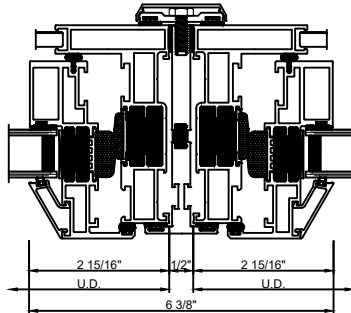


T-MULL

M24500 - T-MULL
M23056 - BASE
M23058 - CAP

BPN-9159 - W.S. (QTY. 4)
MH1/4 20X3/4 - BOLTS (18" APPROX. O.C.)
5229-PC - ANCHOR (QTY. 2)
MPS-8X1 1/2 - FASTENERS (QTY. 2)

CAN ONLY BE USED WITH C600

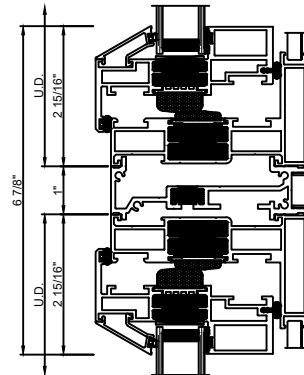
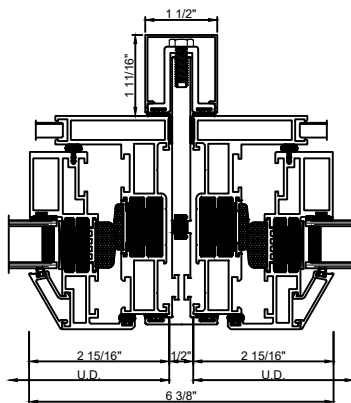


T-MULL

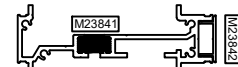
M24497 - T-MULL
M24495 - BASE
M24496 - CAP

BPN-9159 - W.S. (QTY. 4)
MH1/4 20X3/4 - BOLTS (18" APPROX. O.C.)
ANCHOR (QTY. 2)
MPS-8X1 1/2 - FASTENERS (QTY. 2)

CAN ONLY BE USED WITH C600



Exterior

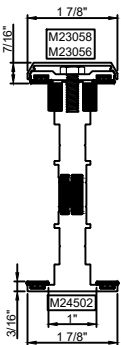


1" STACK MULL

M23841 - STACK MULL
M23842 - INTERIOR COVER
970-300 - WEEP COVER
QWP-M23844 - END DAM (QTY. 2)
BRBT46 - POP RIVET (QTY. 8)

C600 Install ONLY

Window cut sections 1:4

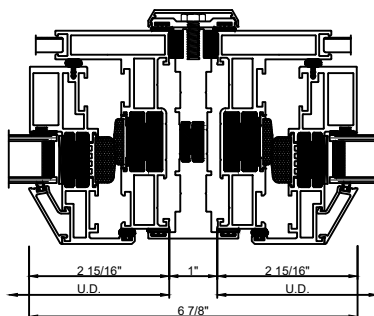


T-MULL

M24502 - T-MULL
M23056 - BASE
M23058 - CAP

BPN-9159 - W.S. (QTY. 4)
MH1/4 20X3/4 - BOLTS (18" APPROX. O.C.)
5228 - ANCHOR (QTY. 2)
MPS-8X1 1/2 - FASTENERS (QTY. 2)

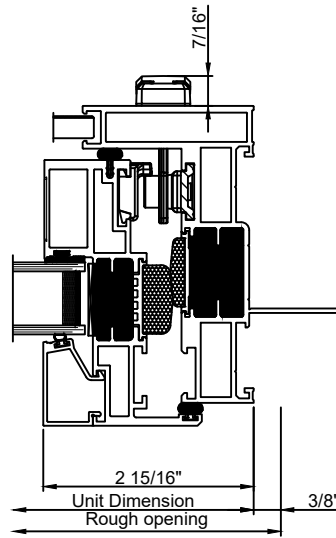
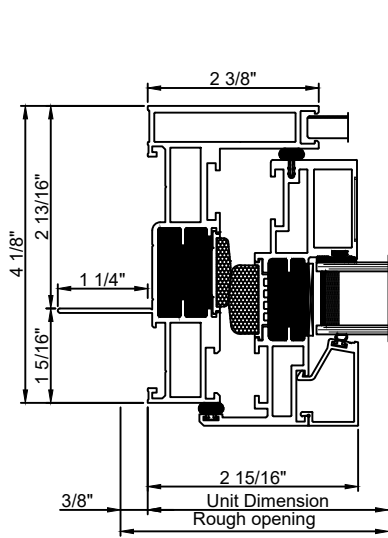
CAN ONLY BE USED WITH C600



Exterior

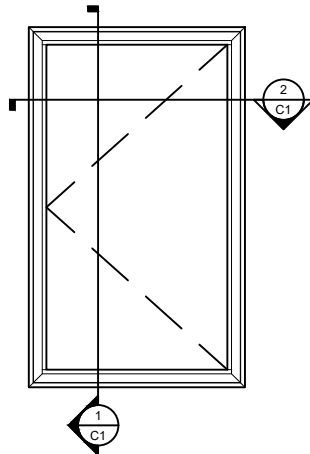
Window cut sections 1:4

Note: All dimensions are approximate. Quaker reserves the right to change specifications without notice.

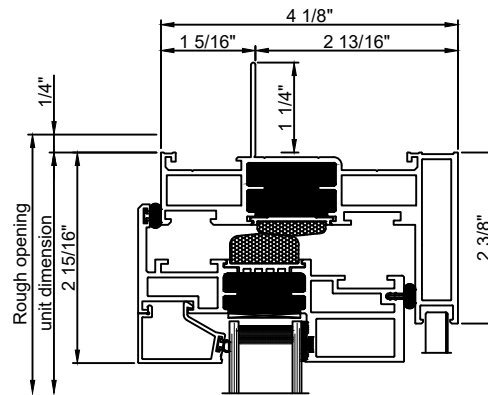


Window cut sections 3/8" = 0' 1"

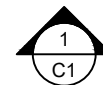
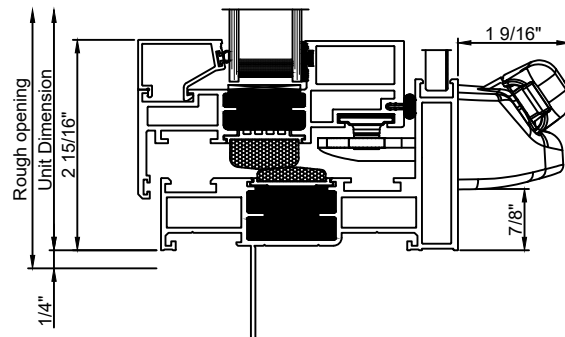
Exterior



Window Elevation 3/8" = 1' 0"

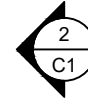
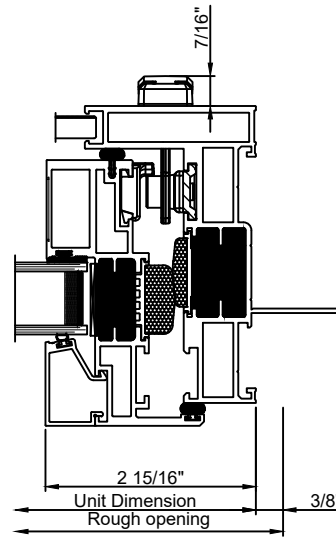
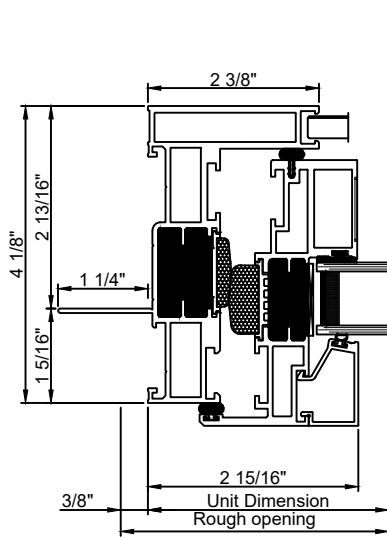


Exterior



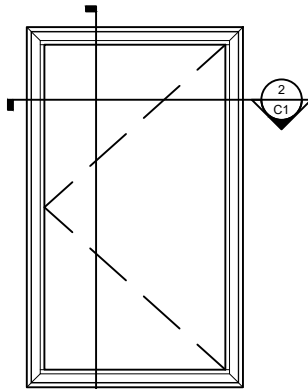
Window cut sections 3/8" = 0' 1"

Note: All dimensions are approximate. Quaker reserves the right to change specifications without notice.

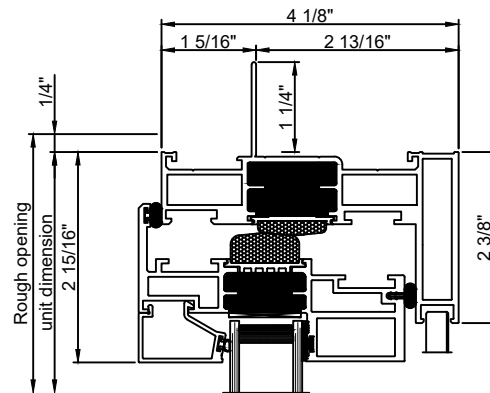


Window cut sections 3/8" = 0' 1"

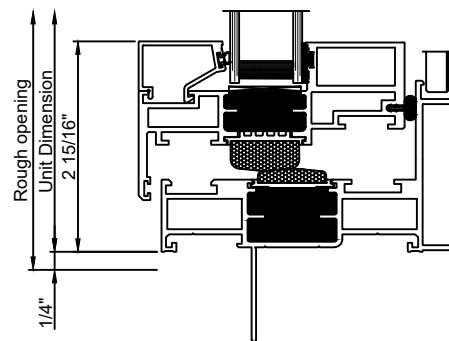
Exterior



Window Elevation 3/8" = 1' 0"

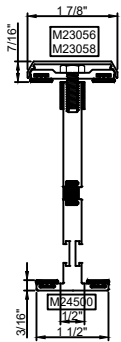


Exterior



Window cut sections 3/8" = 0' 1"

Note: All dimensions are approximate. Quaker reserves the right to change specifications without notice.

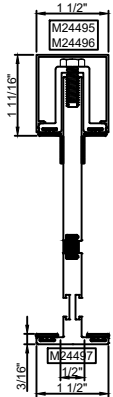
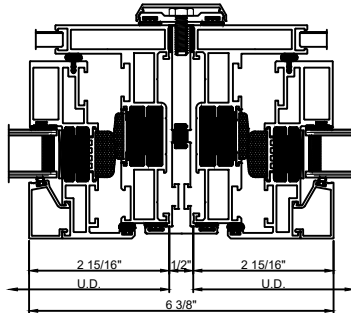


T-MULL

M24500 - T-MULL
M23056 - BASE
M23058 - CAP

BPN-9159 - W.S. (QTY. 4)
MH1/4 20X3/4 - BOLTS (18" APPROX. O.C.)
5229-PC - ANCHOR (QTY. 2)
MPS-8X1 1/2 - FASTENERS (QTY. 2)

CAN ONLY BE USED WITH C600

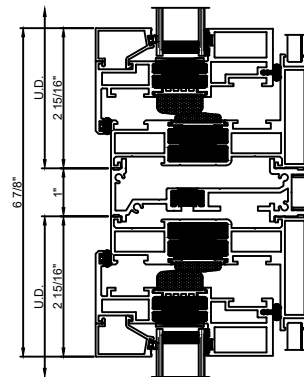
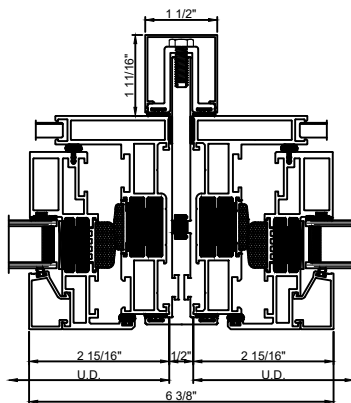


T-MULL

M24497 - T-MULL
M24495 - BASE
M24496 - CAP

BPN-9159 - W.S. (QTY. 4)
MH1/4 20X3/4 - BOLTS (18" APPROX. O.C.)
ANCHOR (QTY. 2)
MPS-8X1 1/2 - FASTENERS (QTY. 2)

CAN ONLY BE USED WITH C600



Exterior

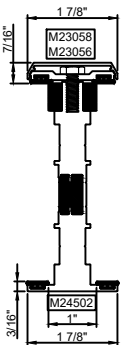


1" STACK MULL

M23841 - STACK MULL
M23842 - INTERIOR COVER
970-300 - WEEP COVER
QWP-M23844 - END DAM (QTY. 2)
BRBT46 - POP RIVET (QTY. 8)

C600 Install ONLY

Window cut sections 1:4

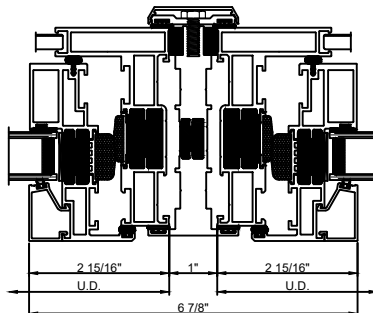


T-MULL

M24502 - T-MULL
M23056 - BASE
M23058 - CAP

BPN-9159 - W.S. (QTY. 4)
MH1/4 20X3/4 - BOLTS (18" APPROX. O.C.)
5228 - ANCHOR (QTY. 2)
MPS-8X1 1/2 - FASTENERS (QTY. 2)

CAN ONLY BE USED WITH C600



Exterior

Window cut sections 1:4

Note: All dimensions are approximate. Quaker reserves the right to change specifications without notice.